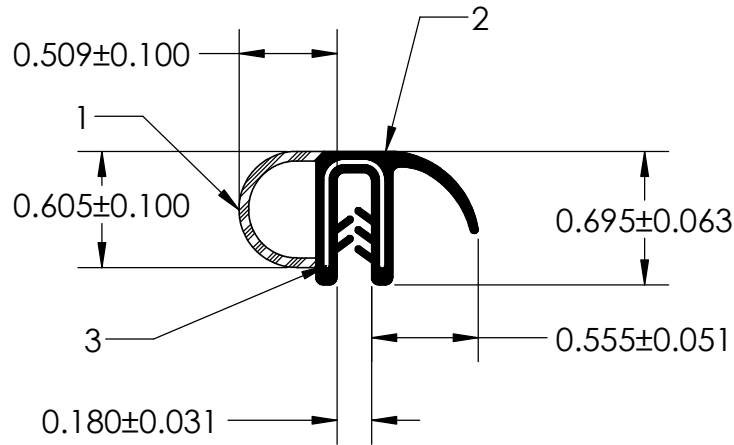
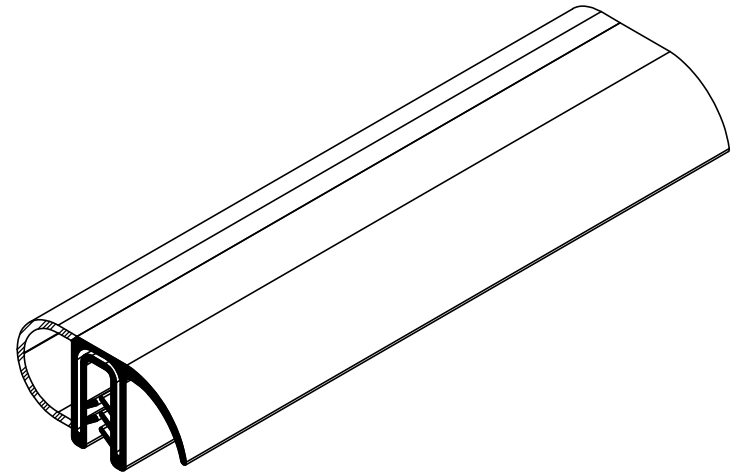


NOTES:

- 1) CLOSED CELL EPDM SPONGE RUBBER (0.700 G/CM³)
- 2) 70 DUROMETER EPDM DENSE RUBBER (1.200 G/CM³)
- 3) 1.315" WIRE CARRIER (0.024 LB/FT)
- 4) 0.125" VENT HOLES



UNI-GRIP, INC.

9823 STATE ROUTE 53 N
UPPER SANDUSKY, OHIO 43351

| REVISION BLOCK | | | | PROPRIETARY AND CONFIDENTIAL: | UNLESS OTHERWISE SPECIFIED: | TITLE: | | |
|---|----------|-------------|--------------------------|---|---|--|--|--|
| REV. | DATE | REVIEWED BY | CHANGES MADE | THE INFORMATION CONTAINED IN THIS DRAWING IS THE SOLE PROPERTY OF UNI-GRIP, INC. ANY REPRODUCTION IN PART OR AS A WHOLE WITHOUT THE WRITTEN PERMISSION OF UNI-GRIP, INC. IS PROHIBITED. | DIMENSIONS ARE IN INCHES TOLERANCES PER ARPM CLASS 3 | DU-109 | | |
| A | 7/10/19 | K.A. | MADE THE TAIL LONGER | | | | | |
| B | 10/10/19 | K.A. | LONGER LEGS PER COSTUMER | | WEIGHT | SIZE DWG. NO. REV A UG-1-DU-1315-WR-109 C | | |
| C | 2/20/20 | K.A. | BULB AND FLAP CHANGES | | 0.155 LB/FT | | | |
| D | | | | | ASTM D1056 | DR. BY DATE SHEET 1 OF 1 C. VENT 1/18/2019 1 | | |
| E | | | | 2A4 | | | | |
| | | | | DOCUMENT CONTROL NUMBER | ASTM D2000 | | | |
| | | | | UG-1-EN-001-FR-(103018) | 3BA711 A14 B13 C12 F17 | | | |
| P:\Engineering\Prints\Dial Durometer\DU-109 UG-1-DU-1315-WR-109 | | | | SCALE: | 1:1 | | | |