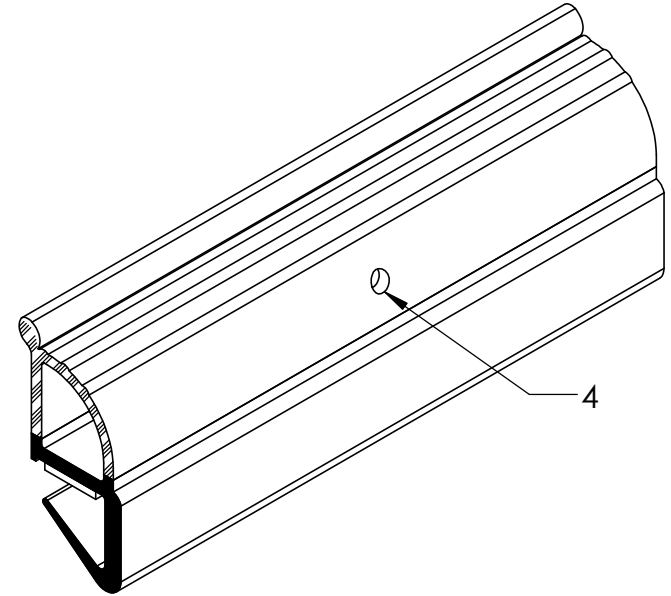
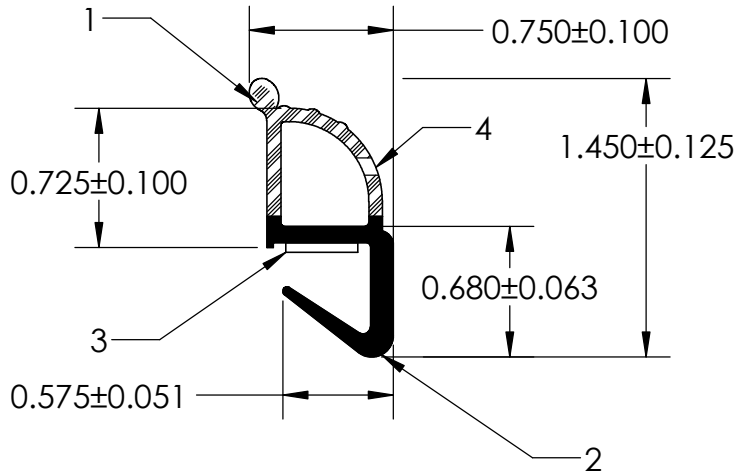


NOTES:

- 1) CLOSED CELL EPDM SPONGE RUBBER (0.750 G/CM³)
- 2) 70 DUROMETER EPDM DENSE RUBBER (1.200 G/CM³)
- 3) 3/8" ST-1200 3M HEAT ACTIVATED TAPE (0.006 LB/FT)
- 4) DRAIN HOLES



UNI-GRIP, INC.

9823 STATE ROUTE 53 N
UPPER SANDUSKY, OHIO 43351

REVISION BLOCK				PROPRIETARY AND CONFIDENTIAL:	UNLESS OTHERWISE SPECIFIED:	TITLE:				
REV.	DATE	APPROVED BY	CHANGES MADE	THE INFORMATION CONTAINED IN THIS DRAWING IS THE SOLE PROPERTY OF UNI-GRIP, INC. ANY REPRODUCTION IN PART OR AS A WHOLE WITHOUT THE WRITTEN PERMISSION OF UNI-GRIP, INC. IS PROHIBITED.	DIMENSIONS ARE IN INCHES TOLERANCES PER ARPM CLASS 3	DU-084				
A										
B					WEIGHT	SIZE				
C					0.144 LB/FT					
D					ASTM D1056	DWG. NO.				
E				2A4						
DOCUMENT CONTROL NUMBER				ASTM D2000	A	UG-1-DU-TS-375-TP-084		REV		
UG-1-EN-001-FR-(111416)				3BA711 A14 B13 C12 F17						
P:\Engineering\Prints\Dual Durometer\DU-084 UG-1-DU-TS-375-TP-084				SCALE:	1:1	DR. BY	C. VENT	DATE	8/24/2018	SHEET 1 OF 1