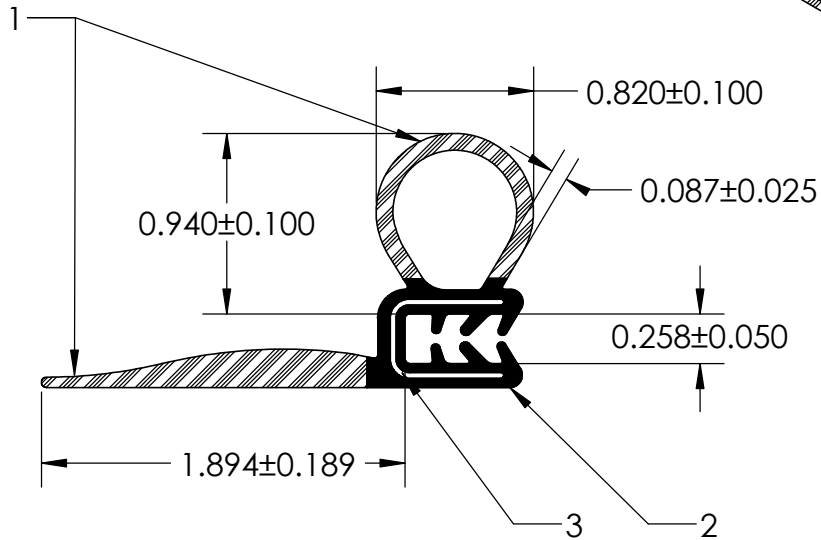
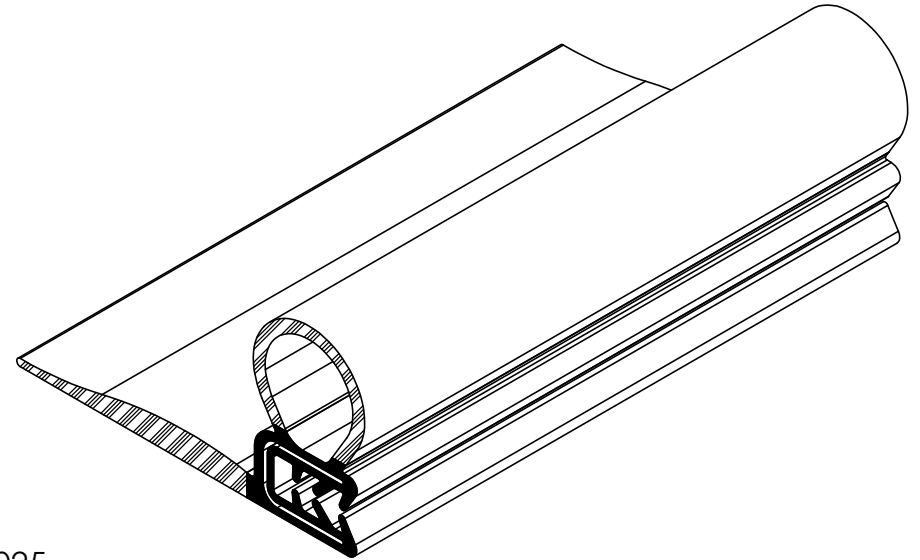


NOTES:

- 1) CLOSED CELL EPDM SPONGE RUBBER (0.750 G/CM³)
- 2) 70 DUROMETER EPDM DENSE RUBBER (1.200 G/CM³)
- 3) 1.430 WIRE CARRIER (0.033 LB/FT)



UNI-GRIP, INC.

9823 STATE ROUTE 53 N
UPPER SANDUSKY, OHIO 43351

PROPRIETARY AND CONFIDENTIAL: THE INFORMATION CONTAINED IN THIS DRAWING IS THE SOLE PROPERTY OF UNI-GRIP, INC. ANY REPRODUCTION IN PART OR AS A WHOLE WITHOUT THE WRITTEN PERMISSION OF UNI-GRIP, INC. IS PROHIBITED.	UNLESS OTHERWISE SPECIFIED: DIMENSIONS ARE IN INCHES TOLERANCES PER ARPM CLASS 3	TITLE: <h2 style="text-align: center;">DU-082</h2>		
	WEIGHT <h3 style="text-align: center;">0.295 LB/FT</h3> ASTM D1056 <h3 style="text-align: center;">2A4</h3>	SIZE <h2 style="text-align: center;">A</h2>	DWG. NO. <h3 style="text-align: center;">UG-1-DU-1430-WR-082</h3>	REV <h2 style="text-align: center;">A</h2>
	DOCUMENT CONTROL NUMBER <h3 style="text-align: center;">UG-1-EN-001-FR-(111416)</h3>	ASTM D2000 <h3 style="text-align: center;">3BA711 A14 B13 C12 F17</h3>	DR. BY <h3 style="text-align: center;">C. VENT</h3>	DATE <h3 style="text-align: center;">8/16/2018</h3>
SCALE: 1:1		SHEET 1 OF 1		