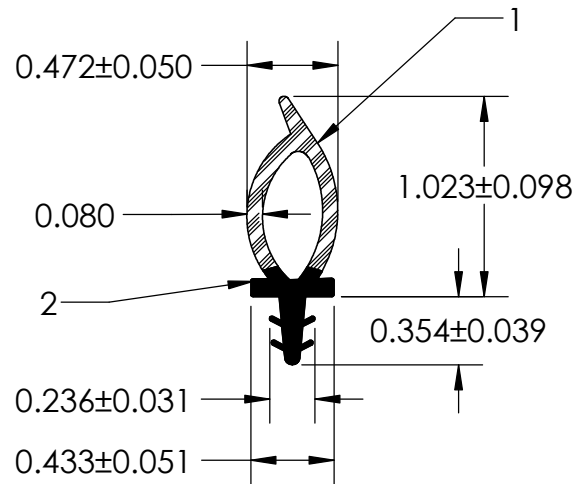
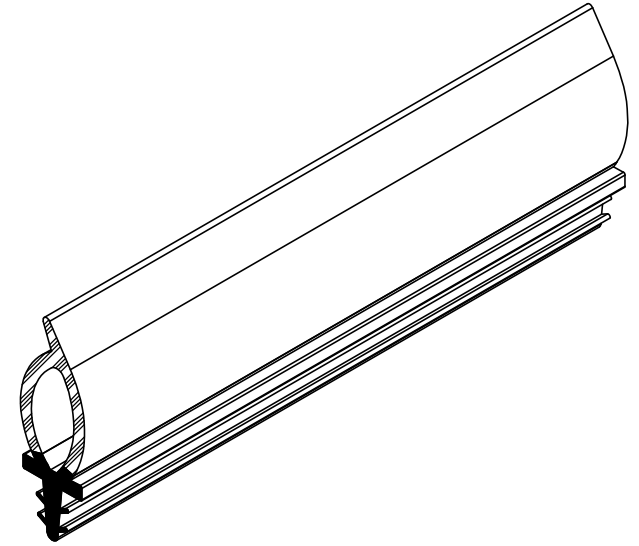


NOTES:

- 1) CLOSED CELL EPDM SPONGE RUBBER (0.725 G/CM<sup>3</sup>)
- 2) 70 DUROMETER EPDM DENSE RUBBER (1.200 G/CM<sup>3</sup>)



**UNI-GRIP, INC.**

9823 STATE ROUTE 53 N  
UPPER SANDUSKY, OHIO 43351

|   |   |
|---|---|
| PROPRIETARY AND CONFIDENTIAL:   | UNLESS OTHERWISE SPECIFIED:                             |
| THE INFORMATION CONTAINED IN THIS DRAWING IS THE SOLE PROPERTY OF UNI-GRIP, INC. ANY REPRODUCTION IN PART OR AS A WHOLE WITHOUT THE WRITTEN PERMISSION OF UNI-GRIP, INC. IS PROHIBITED. | DIMENSIONS ARE IN INCHES<br>TOLERANCES PER ARPM CLASS 3 |
|   | WEIGHT<br>0.101 L B/FT                                  |
|   | ASTM D1056<br>2A4                                       |
| DOCUMENT CONTROL NUMBER<br>UG-1-EN-001-FR-(111416)  | ASTM D2000<br>3BA711 A14 B13 C12 F17                    |

|                  |                         |                 |  |
|------------------|-------------------------|-----------------|--|
| TITLE:           |                         | DU-070          |  |
| SIZE<br><b>A</b> | DWG. NO.<br>UG-1-DU-070 | REV<br><b>A</b> |  |