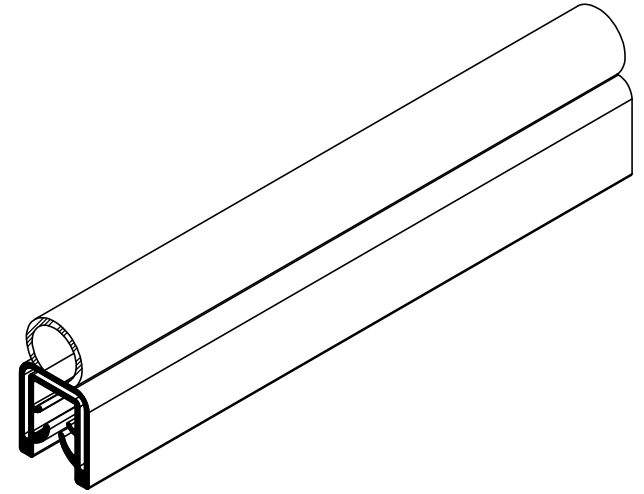
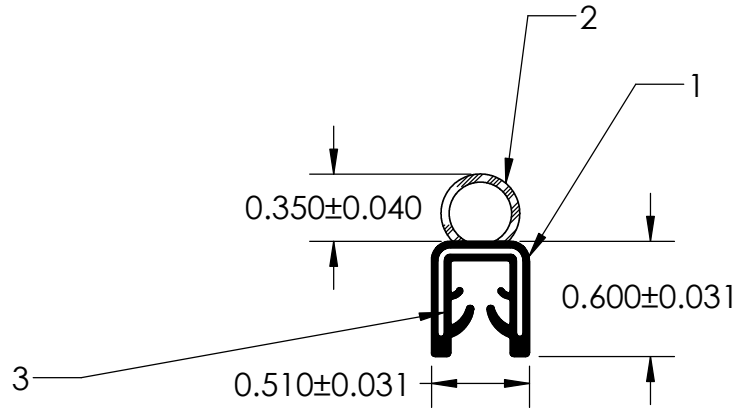


NOTES:

- 1) 70 DUROMETER DENSE EPDM RUBBER (1.200 G/CM³)
- 2) CLOSED CELL EPDM SPONGE RUBBER (0.725 G/CM³)
- 3) 1.120" WIRE CARRIER (0.024 LB/FT)
- 4) REFERENCING PART # 10681



UNI-GRIP, INC.

9823 STATE ROUTE 53 N
UPPER SANDUSKY, OHIO 43351

PROPRIETARY AND CONFIDENTIAL: THE INFORMATION CONTAINED IN THIS DRAWING IS THE SOLE PROPERTY OF UNI-GRIP, INC. ANY REPRODUCTION IN PART OR AS A WHOLE WITHOUT THE WRITTEN PERMISSION OF UNI-GRIP, INC. IS PROHIBITED.	UNLESS OTHERWISE SPECIFIED:	TITLE:		
	DIMENSIONS ARE IN INCHES TOLERANCES PER ARPM CLASS 3	DU-009		
	WEIGHT 0.102 LB/FT			
DOCUMENT CONTROL NUMBER UG-1-EN-001-FR-(111416)	ASTM D1056 2A2	SIZE A	DWG. NO. UG-1-DU-1120-WR-009	REV A
SCALE: 1:1		DR. BY L. CLARK	DATE 1/26/2017	SHEET 1 OF 1