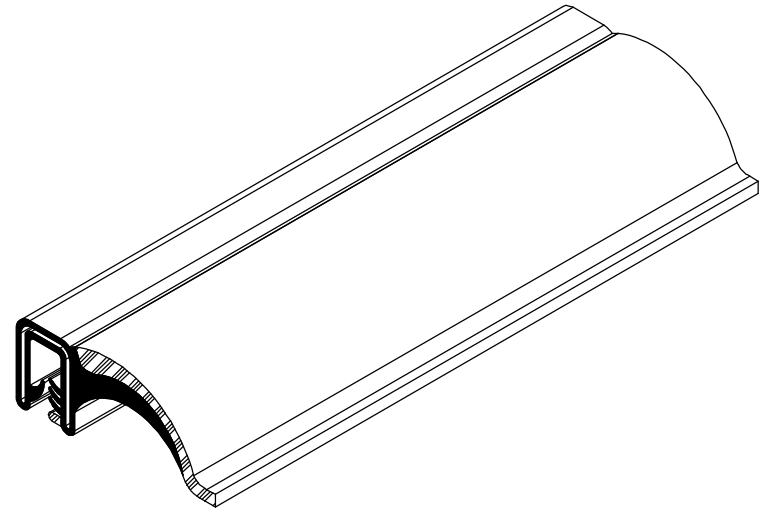
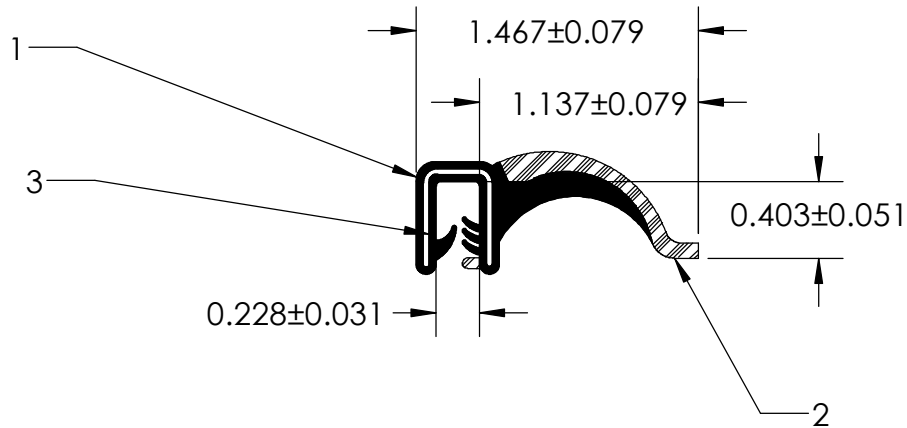


NOTES:

- 1) CLOSED CELL 70 DUROMETER DENSE RUBBER (DENSITY 1.219 G/CM³)
- 2) CLOSED CELL SPONGE RUBBER (DENSITY 0.536 G/CM³)
- 3) 1.315" WIRE INSERT (0.028 LB/FT)



UNI-GRIP, INC.

9823 STATE ROUTE 53 N
UPPER SANDUSKY, OHIO 43351

PROPRIETARY AND CONFIDENTIAL: THE INFORMATION CONTAINED IN THIS DRAWING IS THE SOLE PROPERTY OF UNI-GRIP, INC. ANY REPRODUCTION IN PART OR AS A WHOLE WITHOUT THE WRITTEN PERMISSION OF UNI-GRIP, INC. IS PROHIBITED.	UNLESS OTHERWISE SPECIFIED:	TITLE:		
	DIMENSIONS ARE IN INCHES TOLERANCES PER ARPM CLASS 3	DU-005		
	WEIGHT 0.1433 LB/FT			
DOCUMENT CONTROL NUMBER UG-1-EN-001-FR-(111416)	ASTM D1056 2A2	SIZE A	DWG. NO. UG-1-DU-1315-WR-005	REV A
	ASTM D2000 N/A	DR. BY L. CLARK	DATE 11/29/16	SHEET 1 OF 1