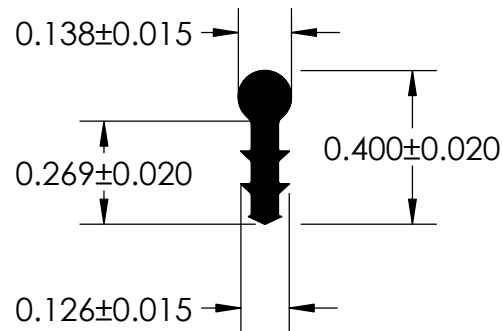
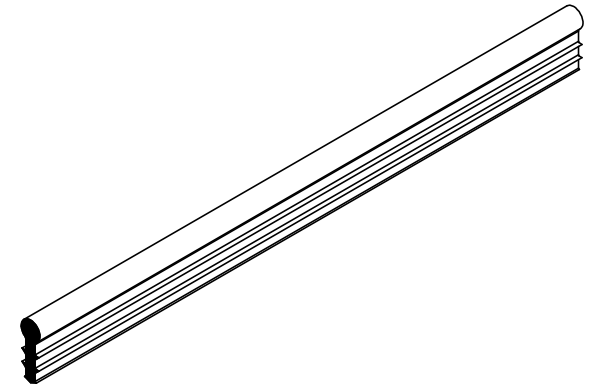


NOTES:

1) 78 DUROMETER WHITE PVC (1.370 G/CM³)



UNI-GRIP, INC.

9823 STATE ROUTE 53 N
UPPER SANDUSKY, OHIO 43351

REVISION BLOCK				PROPRIETARY AND CONFIDENTIAL:	UNLESS OTHERWISE SPECIFIED:	TITLE:				
REV.	DATE	REVIEWED BY	CHANGES MADE	THE INFORMATION CONTAINED IN THIS DRAWING IS THE SOLE PROPERTY OF UNI-GRIP, INC. ANY REPRODUCTION IN PART OR AS A WHOLE WITHOUT THE WRITTEN PERMISSION OF UNI-GRIP, INC. IS PROHIBITED.	DIMENSIONS ARE IN INCHES TOLERANCES PER ARPM CLASS 3	DD-022 WHITE				
A										
B					WEIGHT	0.021 LB/FT				
C					ASTM D1056	N/A				
D					ASTM D2000	N/A				
E				DOCUMENT CONTROL NUMBER UG-1-EN-001-FR-(103018)	ASTM D2000	N/A				
P:\Engineering\Prints\Plastic Extrusion\DD-022 UG-1-PE-004				SCALE:	1:1	DR. BY	C. VENT	DATE	1/17/2020	SHEET 1 OF 1