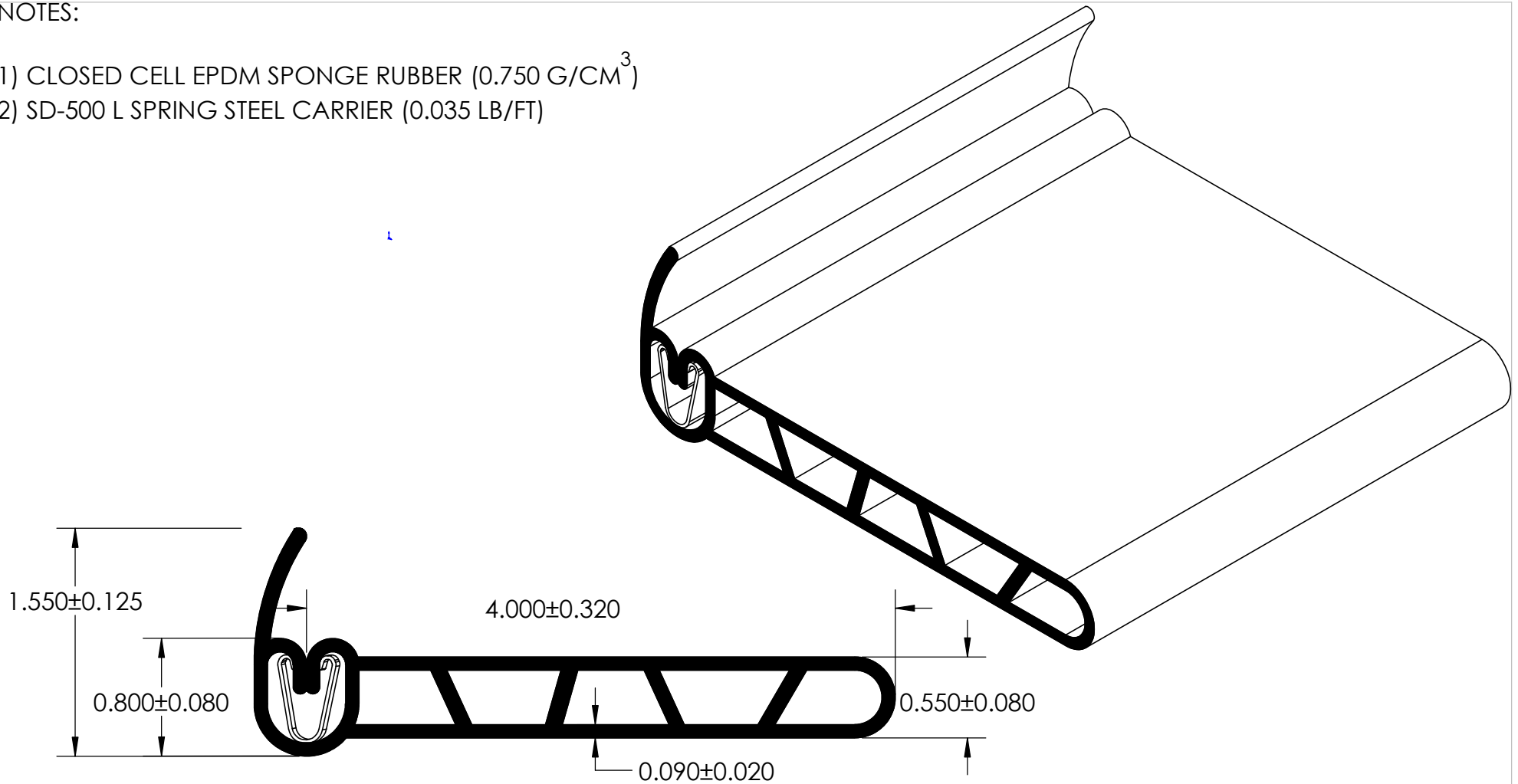


NOTES:

- 1) CLOSED CELL EPDM SPONGE RUBBER (0.750 G/CM<sup>3</sup>)
- 2) SD-500 L SPRING STEEL CARRIER (0.035 LB/FT)



**UNI-GRIP, INC.**

9823 STATE ROUTE 53 N  
UPPER SANDUSKY, OHIO 43351

REVISION BLOCK				PROPRIETARY AND CONFIDENTIAL:	UNLESS OTHERWISE SPECIFIED:	TITLE:								
REV.	DATE	APPROVED BY	CHANGES MADE	THE INFORMATION CONTAINED IN THIS DRAWING IS THE SOLE PROPERTY OF UNI-GRIP, INC. ANY REPRODUCTION IN PART OR AS A WHOLE WITHOUT THE WRITTEN PERMISSION OF UNI-GRIP, INC. IS PROHIBITED.	DIMENSIONS ARE IN INCHES TOLERANCES PER ARPM CLASS 3	BL-045								
A														
B					WEIGHT	<table border="1"> <tr> <td>SIZE</td> <td>DWG. NO.</td> <td>REV</td> </tr> <tr> <td><b>A</b></td> <td>UG-1-BL-500-ST-045</td> <td><b>A</b></td> </tr> </table>			SIZE	DWG. NO.	REV	<b>A</b>	UG-1-BL-500-ST-045	<b>A</b>
SIZE	DWG. NO.	REV												
<b>A</b>	UG-1-BL-500-ST-045	<b>A</b>												
C				ASTM D1056	2A2									
D				DOCUMENT CONTROL NUMBER	ASTM D2000	N/A								
E				UG-1-EN-001-FR-(111416)										
P:\Engineering\Prints\Bulb Seals\BL-045 UG-1-BL-500-ST-045				SCALE:	1:1	DR. BY	C. VENT	DATE	9/26/2018	SHEET 1 OF 1				