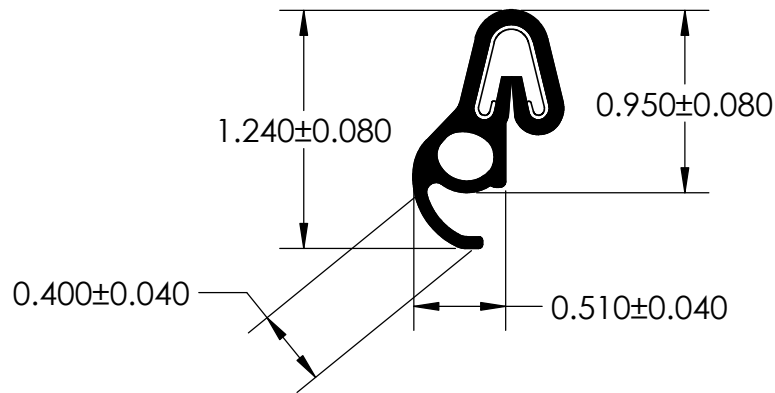
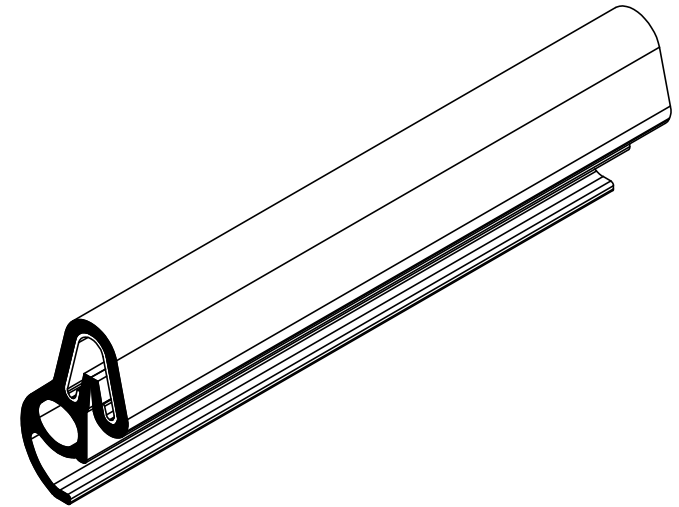


NOTES:

- 1) CLOSED CELL SPONGE RUBBER (DENSITY 0.505 G/CM<sup>3</sup>)
- 2) SD-487 SPRING STEEL (0.030 LB/FT)



**UNI-GRIP, INC.**

9823 STATE ROUTE 53 N  
UPPER SANDUSKY, OHIO 43351

|  |   |                    |                                |                 |
|--|---|--------------------|--------------------------------|-----------------|
| PROPRIETARY AND CONFIDENTIAL:<br><br>THE INFORMATION CONTAINED IN THIS DRAWING IS THE SOLE PROPERTY OF UNI-GRIP, INC. ANY REPRODUCTION IN PART OR AS A WHOLE WITHOUT THE WRITTEN PERMISSION OF UNI-GRIP, INC. IS PROHIBITED. | UNLESS OTHERWISE SPECIFIED:                             | TITLE:             |                                |                 |
|  | DIMENSIONS ARE IN INCHES<br>TOLERANCES PER ARPM CLASS 3 | <b>BL-015</b>      |                                |                 |
|  | WEIGHT<br>0.095 LB/FT                                   |                    |                                |                 |
| DOCUMENT CONTROL NUMBER<br>UG-1-EN-001-FR-(111416)   | ASTM D1056<br>2A3                                       | SIZE<br><b>A</b>   | DWG. NO.<br>UG-1-BL-487-ST-015 | REV<br><b>A</b> |
|  | ASTM D2000<br>N/A                                       | DR. BY<br>L. CLARK | DATE<br>1/19/2017              | SHEET 1 OF 1    |