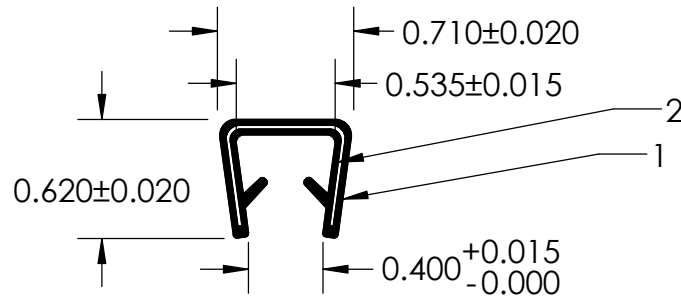
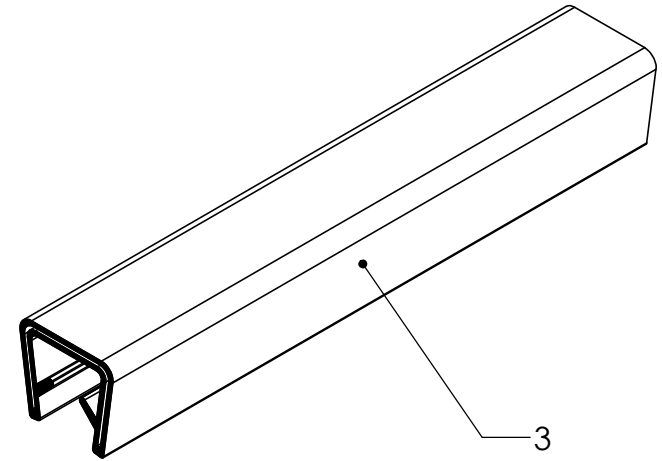


NOTES:

- 1) 78 DUROMETER BLACK PVC (DENSITY 1.370 G/CM<sup>3</sup>)
- 2) 1.525" STAMPED STEEL (0.71 LB/FT)
- 3) LEATHER GRAIN TEXTURE



**UNI-GRIP, INC.**

9823 STATE ROUTE 53 N  
UPPER SANDUSKY, OHIO 43351

PROPRIETARY AND CONFIDENTIAL:  THE INFORMATION CONTAINED IN THIS DRAWING IS THE SOLE PROPERTY OF UNI-GRIP, INC. ANY REPRODUCTION IN PART OR AS A WHOLE WITHOUT THE WRITTEN PERMISSION OF UNI-GRIP, INC. IS PROHIBITED.	UNLESS OTHERWISE SPECIFIED:	TITLE:		
	DIMENSIONS ARE IN INCHES TOLERANCES PER ARPM CLASS 3	BD-1550		
	WEIGHT 0.144 LB/FT			
DOCUMENT CONTROL NUMBER UG-1-EN-001-FR-(111416)	ASTM D1056 N/A	SIZE <b>A</b>	DWG. NO. UG-1-ET-1525-FS-015	REV <b>A</b>
SCALE: 1:1		DR. BY L. CLARK	DATE 1/6/2017	SHEET 1 OF 1